

**BLACK+
DECKER**™

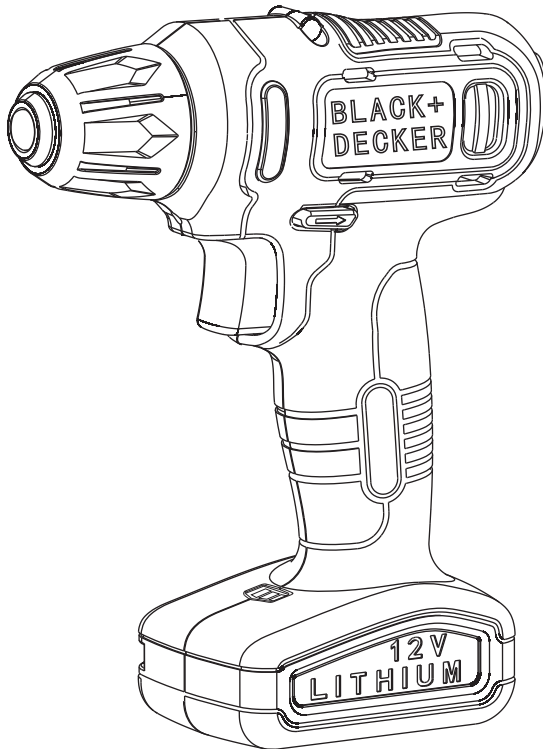


FIG. A

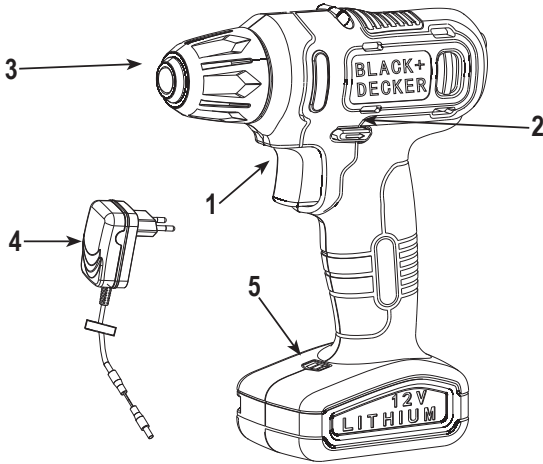


FIG. B

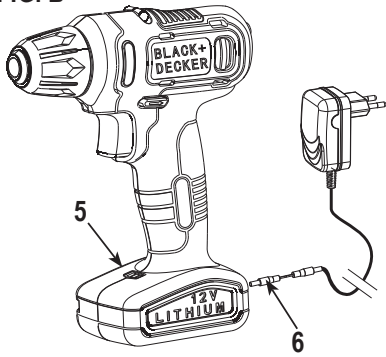


FIG. C

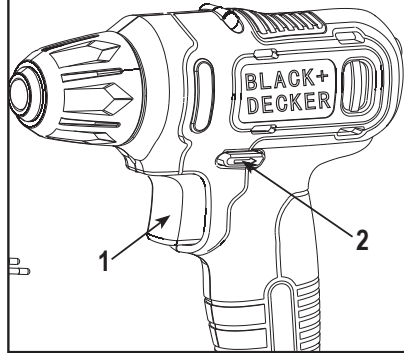
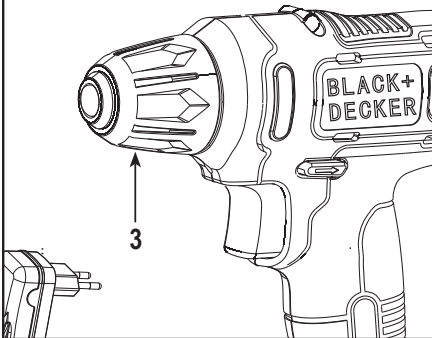


FIG. D



Intended Use

Your BLACK+DECKER™ drill/driver LD12 has been designed for screw driving applications and for drilling in wood, metal and plastics. This tool is intended for consumer usage.

Do not return this product to the store, first contact your local BLACK+DECKER office or nearest authorized service center.

Safety instructions

General power tool safety warnings.



Warning! Read all safety warnings, instructions, illustrations and specifications provided with this power tool. Failure to follow all

instructions listed below may result in electric shock, fire and/or serious injury..

Save all warnings and instructions for future reference.

The term "power tool" in all of the warnings listed below refers to your mains operated (corded) power tool or battery operated (cordless) power tool.

1. Work area safety

- a. Keep work area clean and well lit.** Cluttered or dark areas invite accidents.
- b. Do not operate power tools in explosive atmospheres, such as in the presence of flammable liquids, gases or dust.** Power tools create sparks which may ignite the dust or fumes.
- c. Keep children and bystanders away while operating a power tool.** Distractions can cause you to lose control.

2. Electrical safety

- a. Power tool plugs must match the outlet. Never modify the plug in any way. Do not use any adapter plugs with earthed (grounded) power tools.** Unmodified plugs and matching outlets will reduce risk of electric shock.
- b. Avoid body contact with earthed or grounded surfaces such as pipes,**

radiators, ranges and refrigerators. There is an increased risk of electric shock if your body is earthed or grounded.

- c. Do not expose power tools to rain or wet conditions.** Water entering a power tool will increase the risk of electric shock.
- d. Do not abuse the cord. Never use the cord for carrying, pulling or unplugging the power tool. Keep cord away from heat, oil, sharp edges or moving parts.** Damaged or entangled cords increase the risk of electric shock.
- e. When operating a power tool outdoors, use an extension cord suitable for outdoor use.** Use of a cord suitable for outdoor use reduces the risk of electric shock.
- f. If operating a power tool in a damp location is unavoidable, use a residual current device (RCD) protected supply.** Use of an RCD reduces the risk of electric shock.

3. Personal safety

- a. Stay alert, watch what you are doing and use common sense when operating a power tool. Do not use a power tool while you are tired or under the influence of drugs, alcohol or medication.** A moment of inattention while operating power tools may result in serious personal injury.
- b. Use personal protective equipment. Always wear eye protection.** Protective equipment such as a dust mask, non-skid safety shoes, hard hat, or hearing protection used for appropriate conditions will reduce personal injuries.
- c. Prevent unintentional starting. Ensure the switch is in the off-position before connecting to power source and/or battery pack, picking up or carrying the tool.** Carrying power tools with your finger on the switch or energising power tools that have the switch on invites accidents.
- d. Remove any adjusting key or wrench before turning the power tool on.** A wrench or a key left attached to a rotating part of the power tool may result in personal injury.

- e. **Do not overreach. Keep proper footing and balance at all times.** This enables better control of the power tool in unexpected situations.
- f. **Dress properly. Do not wear loose clothing or jewellery. Keep your hair and clothing away from moving parts.** Loose clothes, jewellery or long hair can be caught in moving parts.
- g. **If devices are provided for the connection of dust extraction and collection facilities, ensure these are connected and properly used.** Use of dust collection can reduce dust-related hazards.
- h. **Do not let familiarity gained from frequent use of tools allow you to become complacent and ignore tool safety principles.** A careless action can cause severe injury within a fraction of a second.
- #### 4. Power tool use and care
- a. **Do not force the power tool. Use the correct power tool for your application.** The correct power tool will do the job better and safer at the rate for which it was designed.
- b. **Do not use the power tool if the switch does not turn it on and off.** Any power tool that cannot be controlled with the switch is dangerous and must be repaired.
- c. **Disconnect the plug from the power source and/or remove the battery pack, if detachable from the power tool before making any adjustments, changing accessories, or storing power tools.** Such preventive safety measures reduce the risk of starting the power tool accidentally.
- d. **Store idle power tools out of the reach of children and do not allow persons unfamiliar with the power tool or these instructions to operate the power tool.** Power tools are dangerous in the hands of untrained users.
- e. **Maintain power tools and accessories. Check for misalignment or binding of moving parts, breakage of parts and any other condition that may affect the power tools operation. If damaged, have the power tool repaired before use.** Many accidents are caused by poorly maintained power tools.
- f. **Keep cutting tools sharp and clean.** Properly maintained cutting tools with sharp cutting edges are less likely to bind and are easier to control.
- g. **Use the power tool, accessories and tool bits etc., in accordance with these instructions, taking into account the working conditions and the work to be performed.** Use of the power tool for operations different from those intended could result in a hazardous situation.
- h. **Keep handles and grasping surfaces dry, clean and free from oil and grease.** Slippery handles and grasping surfaces do not allow for safe handling and control of the tool in unexpected situations.
- #### 5. Battery tool use and care
- a. **Recharge only with the charger specified by the manufacturer.** A charger that is suitable for one type of battery pack may create a risk of fire when used with another battery pack.
- b. **Use power tools only with specifically designated battery packs.** Use of any other battery packs may create a risk of injury and fire.
- c. **When battery pack is not in use, keep it away from other metal objects, like paper clips, coins, keys, nails, screws, or other small metal objects, that can make a connection from one terminal to another.** Shorting the battery terminals together may cause burns or a fire.
- d. **Under abusive conditions, liquid may be ejected from the battery; avoid contact. If contact accidentally occurs, flush with water. If liquid contacts eyes, additionally seek medical help.** Liquid ejected from the battery may cause irritation or burns.
- e. **Do not use a battery pack or tool that is damaged or modified. Damaged or modified batteries may exhibit unpredictable behaviour resulting in fire, explosion or risk of injury.**
- f. **Do not expose a battery pack or tool to fire or excessive temperature.** Exposure to fire or temperature above 130 °C may cause explosion. NOTE The temperature „130 °C“ can be replaced by the temperature „265 °F“.

g. Follow all charging instructions and do not charge the battery pack or tool outside the temperature range specified in the instructions. Charging improperly or at temperatures outside the specified range may damage the battery and increase the risk of fire.

6. Service

a. Have your power tool serviced by a qualified repair person using only identical replacement parts. This will ensure that the safety of the power tool is maintained.

b. Never service damaged battery packs. Service of battery packs should only be performed by the or authorized service providers.

7. Drill safety warnings

1) Safety instructions for all operations

a. Wear ear protectors when impact drilling. Exposure to noise can cause hearing loss.

b. Use the auxiliary handle(s). Loss of control can cause personal injury.

c. Brace the tool properly before use. This tool produces a high output torque and without properly bracing the tool during operation, loss of control may occur resulting in personal injury.

d. Hold the power tool by insulated gripping surfaces, when performing an operation where the cutting accessory may contact hidden wiring or its own cord. Cutting accessory contacting a "live" wire may make exposed metal parts of the power tool "live" and could give the operator an electric shock.

2) Safety instructions when using long drill bits

a. Never operate at higher speed than the maximum speed rating of the drill bit. At higher speeds, the bit is likely to bend if allowed to rotate freely without contacting the workpiece, resulting in personal injury.

b. Always start drilling at low speed and with the bit tip in contact with the

workpiece. At higher speeds, the bit is likely to bend if allowed to rotate freely without contacting the workpiece, resulting in personal injury.

c. Apply pressure only in direct line with the bit and do not apply excessive pressure. Bits can bend causing breakage or loss of control, resulting in personal injury.



Additional power tool safety warnings

Warning! Additional safety warnings for drill/drivers.

- Use clamps or another practical way to secure and support the workpiece to a stable platform. Holding the work by hand or against your body leaves it unstable and may lead to loss of control.
- Before drilling into walls, floors or ceilings check for the location of wiring and pipes.
- Avoid touching the tip of a drill bit just after drilling, as it may be hot.
- This tool is not intended for use by persons (including children) with reduced physical, sensory or mental capabilities, or lack of experience and knowledge, unless they have been given supervision or instruction concerning use of the appliance by a person responsible for their safety. Children should be supervised to ensure that they do not play with the appliance.
- The intended use is described in this instruction manual. The use of any accessory or attachment or performance of any operation with this tool other than those recommended in this instruction manual may present a risk of personal injury and/or damage to property.

Safety of others

- This appliance is not intended for use by persons (including children) with reduced physical, sensory or mental capabilities, or lack of experience and knowledge, unless they have been given supervision or instruction concerning use of the appliance by a person responsible for their safety.

- Children should be supervised to ensure that they do not play with the appliance.

Residual risks

Additional residual risks may arise when using the tool which may not be included in the enclosed safety warnings. These risks can arise from misuse, prolonged use etc.

Even with the application of the relevant safety regulations and the implementation of safety devices, certain residual risks cannot be avoided. These include:

- Injuries caused by touching any rotating/moving parts.
- Injuries caused when changing any parts, blades or accessories.
- Injuries caused by prolonged use of a tool. When using any tool for prolonged periods ensure you take regular breaks.
- Impairment of hearing.
- Health hazards caused by breathing dust developed when using your tool (example: working with wood, especially oak, beech and MDF).

Labels on tool

The label on your tool may include the following symbols:



Warning! To reduce the risk of injury, the user must read the instruction manual.



The charger is intended for indoor use only.



Read this entire manual carefully before using the appliance.

Position of date barcode

The Date Code, which also includes the year of manufacture, is printed into the housing. Example:

2017 XX JN
Year of manufacturing

Electrical safety



Your charger is double insulated; therefore no earth wire is required.

Always check that the mains voltage corresponds to the voltage on the rating plate. Never attempt to replace the charger unit with a regular mains plug.

- If the supply cord is damaged, it must be replaced by the manufacturer or an authorised BLACK+DECKER Service Centre in order to avoid a hazard.

Features (Fig. A)

1. Switch
2. Forward/Reverse button
3. Keyless chuck
4. Charger
5. Charging and cell capacity indicator

Safety warnings and instructions

Batterie

- DO NOT disassemble or open, drop (mechanical abuse), crush, bend or deform, puncture, or shred.
- DO NOT modify or remanufacture, attempt to insert foreign objects into the battery, immerse or expose to water or other liquids, or expose to fire, excessive heat including soldering irons, or put in microwave oven.
- Only use the battery with a charging system specified by the manufacturer/supplier.
- DO NOT short-circuit a battery or allow metallic or conductive objects to contact both battery terminals simultaneously.
- Dispose of used batteries promptly according to the manufacturer/supplier's instructions.
- Improper battery use may result in a fire, explosion, or other hazard.
- Battery usage by children should be supervised.



Warning! Never attempt to open the battery for any reason. If battery case is cracked or damaged, do not insert into

charger. Do not crush, drop or damage battery. Do not use a battery or charger that has received a sharp blow, been dropped, run over or damaged in any way (i.e., pierced with a nail, hit with a hammer, stepped on). Damaged batteries should be returned to service center for recycling.

Charger

1. This manual contains important safety and operating instructions.
2. Before using battery charger, read all instructions and cautionary warnings on battery charger and product using battery.

Caution! To reduce the risk of injury, use charger only with this product. Batteries in other products may burst causing personal injury or damage.

3. Do not expose charger to rain or snow.
4. Use of an attachment not recommended or sold by BLACK+DECKER may result in a risk of fire, electric shock, or injury to persons.
5. To reduce risk of damage to electric plug and cord, pull by plug rather than cord when disconnecting charger.
6. Make sure cord is located so that it will not be stepped on, tripped over, or otherwise subjected to damage or stress.
7. An extension cord should not be used unless absolutely necessary. Use of improper extension cord could result in a risk of fire, electric shock or electrocution.
 - a. Two-wire cords can be used with 2-wire or 3-wire extension cords. Only round jacketed extension cords should be used, and we recommend that they be listed by Underwriters Laboratories (U.L.). If the extension is to be used outside, the cord must be suitable for outdoor use.

Any cord marked for outdoor use can also be used for indoor work. The letters "W" or "WA" on the cord jacket indicates that the cord is suitable for outdoor use.

- b. An extension cord must have adequate wire size or American Wire Gauge) for safety, and to prevent loss of power and overheating. The smaller the gauge number of the wire, the greater the capacity of the cable; that is, 16 gauge has more capacity than 18 gauge. When using more than one extension to make up the total length, be sure each extension contains at least the minimum wire size.
8. Use only the supplied charger when charging your tool. The use of any other charger could damage the tool or create a hazardous condition.
9. Use only one charger when charging.
10. DO NOT attempt to open the charger. There are no customer serviceable parts inside. Return to any Black+Decker service center.
11. DO NOT incinerate the battery even if it is severely damaged or is completely worn out. The batteries can explode in a fire. Toxic fumes and materials are created when lithium ion batteries are burned.
12. DO NOT charge or use battery in explosive atmospheres, such as in the presence of flammable liquids, gases or dust. Inserting or removing the drill from the charger may ignite the dust or fumes.
13. If battery contents come into contact with the skin, immediately wash area with mild soap and water. If battery liquid gets into the eye, rinse water over the open eye for three minutes or until irritation ceases. If medical attention is needed, the battery electrolyte is composed of a mixture of liquid organic carbonates and lithium salts.



Warning! Burn hazard. Battery liquid may be flammable if exposed to spark or flame

Important charging notes

1. After normal usage, your tool should be fully charged in 1 to 1,5 hours. Your tool was sent from the factory in an uncharged condition. Before attempting to use it, it must be charged for at least 1 hour.
2. Longest life and best performance can be obtained if the battery pack is charged when the air temperature is between 65°F and 75°F (18°C - 24°C).
3. DO NOT charge the batteries in an air temperature below 40°F (4,5°C) or above 105°F (+40,5°C). This is important and will prevent serious damage to the batteries.
4. While charging, the charger may hum and become warm to touch. This is a normal condition and does not indicate a problem.
5. If the batteries do not charge properly:
 - a. Check current at receptacle by plugging in a lamp or other appliance.
 - b. Check to see if receptacle is connected to a light switch which turns power off when you turn out the lights.
 - c. Move charger and tool to a surrounding air temperature of 40°F (4,5°C) to 105°F (+40,5°C).
 - d. If the receptacle and temperature are OK, and you do not get proper charging, take or send the tool and charger to your local BLACK+DECKER service center.
6. The tool should be recharged when it fails to produce sufficient power on jobs which were easily done previously. DO NOT CONTINUE using product with its batteries in a depleted condition.
7. Foreign materials of a conductive nature such as, but not limited to, steel wool, aluminum foil, or any build up of metallic particles should be kept away from charger cavities. Always unplug the charger from the power supply when there is no battery pack in the cavity. Unplug charger before attempting to clean.

8. Do not freeze or immerse charger in water or any other liquid.

Storage recommendations

1. The best storage place is one that is cool and dry away from direct sunlight and excess heat or cold.
2. Long storage will not harm the battery pack or charger.

Charging procedure (Fig. B)

The batteries in your tool are not fully charged at the factory. Before attempting to charge them, thoroughly read all of the Safety instructions.

To charge your tool, follow the steps below:

1. Plug the charger into any standard electrical outlet.
2. Insert the charger plug (6) as shown in Fig. B. The charging indicator LED (5) will remain on continuously, the 3 LED will remain on from the first to third when charging is complete, all of the LED will turn on.
3. Let the tool charge initially for 1 to 1.5 hours. After the initial charge, under normal usage, your tool should be fully charged in 1 to 1.5 hours.



Warning! Do not use tool while it is connected to the charger.



Warning! Fire Hazard. When disconnecting the charger from the tool, be sure to unplug the charger from the outlet first, then disconnect the charger cord from the tool.

Operating instructions

Trigger switch and reversing button (Fig. C)

- The drill is turned ON and OFF by pulling and releasing the trigger switch (1).
- A Forward/Reverse control button (2) determines the direction of the tool and also serves as a lock off button.

- To select Forward rotation, release the trigger switch and depress the Forward/Reverse control button to the left.
- To select reverse, depress the Forward/Reverse control button the opposite direction.

Note: The center position of the control button locks the tool in the off position. When changing the position of the control button, be sure the trigger is released.

Variable speed trigger switch (Fig. A)

To turn the tool on, squeeze the trigger switch (1). To turn the tool off, release the trigger switch. Your tool is equipped with a brake. The chuck will stop when the trigger switch is fully released. The variable speed switch enables you to select the best speed for a particular application. The further you squeeze the trigger, the faster the tool will operate. For maximum tool life, use variable speed only for starting holes or fasteners

Note: Continuous use in variable speed range is not recommended. It may damage the switch and should be avoided.

Keyless single sleeve chuck (Fig. D)

Your tool features a keyless chuck with one rotating sleeve for one-handed operation of the chuck. To insert a drill bit or other accessory, follow these steps.

1. Lock the trigger in the OFF position as previously described.
2. Grasp the black sleeve of the chuck with one hand and use the other hand to secure the tool. Rotate the sleeve counterclockwise far enough to accept the desired accessory.
3. Insert the accessory into the chuck and tighten securely by rotating the chuck sleeve clockwise with one hand while holding the tool with the other. Your tool is equipped with an automatic spindle lock mechanism. This allows you to open and close the chuck with one hand.

To release the accessory, repeat step 2 above.



Warning! Do not attempt to tighten drill bits (or any other accessory) by gripping the front part of the chuck and turning the tool on. Damage to the chuck and personal injury may result. Always lock off trigger switch when changing accessories. Be sure to tighten chuck with one hand on the chuck sleeve and one hand holding the tool for maximum tightness.

Screwdriving

For driving fasteners, the reversing button should be pushed to the left. Use reverse (button pushed to the right) for removing fasteners. When moving from forward to reverse, or vice versa, always release the trigger switch first.

Drilling

- Use sharp drill bits only.
- Support and secure work properly, as instructed in the "Safety Instructions".
- Use appropriate and required safety equipment, as instructed in the "Safety Instructions".
- Secure and maintain work area, as instructed in the "Safety Instructions".
- Run the drill very slowly, using light pressure, until the hole is started enough to keep the drill bit from slipping out of it.
- Apply pressure in a straight line with the bit. Use enough pressure to keep the bit biting but not so much as to stall the motor or deflect the bit.
- Hold the drill firmly with two hands to control its twisting action.
- Do not click the trigger of a stalled drill off and on in an attempt to start it. Damage to the drill can result.
- Minimize stalling on breakthrough by reducing pressure and slowly drilling through the last part of the hole.
- Keep the motor running while pulling the bit out of a drilled hole. This will help reduce jamming.
- Make sure switch turns drill on and off.

Drilling in wood

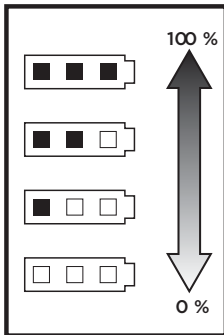
Holes in wood can be made with the same twist drill bits used for metal or with spade bits. These bits should be sharp and should be pulled out frequently when drilling to clear chips from the flutes.

Drilling in metal

Use a cutting lubricant when drilling metals. The exceptions are cast iron and brass which should be drilled dry. The cutting lubricants that work best are sulfurized cutting oil or lard oil.

Cell indicator

When press the main trigger (1), the cell capacity indicator turn on at the same to show the cell capacity status.



Troubleshooting

Problem	Possible cause	Possible solution
Unit will not start.	Battery pack not installed properly Battery pack not charged.	Check battery pack installation. Check battery pack charging requirements.
Battery pack will not charge.	Battery pack not inserted into charger. Charger not plugged in.	Insert battery pack into charger until green LED appears Plug charger into aworking outlet. Refer to "Important Charging Notes" formore details.

Unit shuts off abruptly.	Surrounding air temperature too hot or too cold. Battery pack has reached its maximumthermal limit. Out of charge. (To maximize the life of the battery pack it is designed to shut off abruptly when the charge is depleted.)	Move charger and battery pack to a surrounding air temperature of above 40 oF 4,5°C) or below 105 oF (+40,5°C). Allow battery pack to cool down. Place on charger and allow to charge.
--------------------------	--	--

Maintenance

Your BLACK+DECKER tool has been designed to operate over a long period of time with a minimum of maintenance. Continuous satisfactory operation depends upon proper tool care and regular cleaning. Your charger does not require any maintenance apart from regular cleaning.



Warning! Before performing any maintenance on the tool, remove the battery from the tool. Unplug the charger before cleaning it.

- Regularly clean the ventilation slots in your tool and charger using a soft brush or dry cloth.
- Regularly clean the motor housing using a damp cloth. Do not use any abrasive or solvent-based cleaner.
- Regularly open the chuck and tap it to remove any dust from the interior.

Important! To ensure product SAFETY and RELIABILITY, repairs, maintenance and adjustment (other than those listed in this manual) should be performed by authorized service centers or other qualified organizations, always using identical replacement parts. Unit contains no user service able parts inside.

Accessories

Recommended accessories for use with your tool are available at extra cost from your local dealer or authorized service center.



Warning! The use of any accessory not recommended for use with this tool could be hazardous.

Batteries



BLACK+DECKER batteries can be recharged many times. At the end of their useful life, discard batteries with due care for our environment:

- Run the battery down completely, then remove it from the tool.
- NiCd, NiMH and Li-Ion batteries are recyclable. Take them to any authorized repair agent or a local recycling station.

Protecting the environment



Separate collection. This product must not be disposed of with normal household waste.

Should you find one day that your BLACK+DECKER product needs replacement, or if it is of no further use to you, do not dispose of it with household waste. Make this product available for separate collection.



Separate collection of used products and packaging allows materials to be recycled and used again. Reuse of recycled materials helps prevent environmental pollution and reduces the demand for raw materials.

Local regulations may provide for separate collection of electrical products from the household, at municipal waste sites or by the retailer when you purchase a new product.

BLACK+DECKER provides a facility for the collection and recycling of BLACK+DECKER products once they have reached the end of their working life. To take advantage of this service please return your product to any authorised repair agent who will collect them on our behalf. You can check the location of your nearest authorised repair agent by contacting your local BLACK+DECKER office at the address indicated in this manual. Alternatively, a list of authorised BLACK+DECKER repair agents and full details of our after-sales service and contacts are available on the Internet at: www.2helpU.com.

Technical data

LD12	
Voltage	12V
No-load speed	0 - 900/min (rpm)
Chuck	10 mm
Torque	16/8 Nm (141/71 lb)

Charger

Output current	1 A
Charge time	1 to 1.5 hrs

Battery

Voltage	12V
Capacity	1.5 Ah
Type	Integrate Lithium-Ion

* Maximum initial battery pack voltage (Measured without a workload) is 12 volts. Measured under a workload, nominal voltage is 10,8V.

Warranty

BLACK+DECKER is confident of the quality of its products and offers an outstanding guarantee. This guarantee statement is in addition to and in no way prejudices your statutory rights.

If a BLACK+DECKER product becomes defective due to faulty materials, workmanship or lack of conformity, within 6 months from the date of purchase, BLACK+DECKER guarantees to replace defective parts, repair products subjected to fair wear and tear or replace such products to make sure of the minimum inconvenience to the customer unless:

- The product has been used for trade, professional or hire purposes.
- The product has been subjected to misuse or neglect.
- The product has sustained damage through foreign objects, substances or accidents.
- Repairs have been attempted by persons other than authorised repair agents or BLACK+DECKER service staff.

To claim on the guarantee, you will need to submit proof of purchase to the seller or an authorised repair agent. You can check the location of your nearest authorised repair agent by contacting your local BLACK+DECKER office at the address indicated in this manual. Alternatively, a list of authorised BLACK+DECKER repair agents and full details of our aftersales service and contacts are available on the Internet at: www.2helpU.com

Names & Addresses for BLACK + DECKER India Service Concessionaries

ANDHRA PRADESH: KAKINADA - LAKSHMI SIVARAM ENTERPRISES, #43-1-48, OPP: IDBI BANK, MAIN ROAD, KAKINADA. BRANCH:SARPAVARAM JUNCTION, BESIDE POLICE STATION KAKINADA, ANDHRA PRADESH, 533001, Tel: 9848317859, Email: lsr1.nani1980@gmail.com. RAJAMUNDRY - SRK POWER TOOLS CORPORATION, DOOR NO: 7-30-15 OPP:BATA SHOW ROOM, NEAR SANTHI, MAIN, ROAD RAJAHMUNDRY RAJAMUNDRY, 533101, Tel: 9966644555, Email: srk.powertools@gmail.com. TIRUPATI - MAHARAJA SPARES, NO. 42 NETHAJI ROAD TIRUPATI, 517501, Tel: 0877 2253426, Email: "ramsing.yrajpurohit@gmail.com, ramsinghrp39@gmail.com". VISAKHAPATTANAM - S B ENTERPRISES, 28-16-14 , SURYABAGH VISAKHAPATANAM, ANDHRA PRADESH, 530020, Tel: 0891-2562208 / 2569917, Email: sbevsp@gmail.com. VISAKHAPATTANAM - SRI GANESH HARDWARE & ELECTRICALS, NO. 7-16-73 OLD GAJUWAKA JN VISAKHAPATANAM, ANDHRA PRADESH, 530026, Tel: 0891 515524, Email: sriganeshhardware1982@gmail.com. **ASSAM:** GUWAHATI - ARUN MACHINE AND TOOLS, A.T.ROAD NEAR RUPSHREE CINEMA, TOKOBARI GUWAHATI, ASSAM, 781001, Tel: 2591868, Email: arunmachinetools@rediffmail.com. GUWAHATI - BAGARIA TOOLS AND HARDWARE, NEAR HOTEL VISHWARATNA AT ROAD GUWAHATI, ASSAM, 781001, Tel: 2511173, Email: bagariatools@yahoo.com. GUWAHATI - VINAYAK TOOLS AND MACHINERY, A-1, MANGAL RAM TOWER OPPOSITE POLICE RESERVE, A.T.ROAD GUWAHATI, ASSAM, 781001, Tel: , Email: sarawgi_anil@yahoo.com. JORHAT - ASSAM MACHINE TOOLS, GAR-ALI, JORHAT GUWAHATI ASSAM, 785001, Tel: 2321607, Email: arunmachinetools@rediffmail.com. TEZPUR - SHYAM MACHINERY AND TOOLS, A.C. PLAZA, N.B.ROAD (NEAR ANANTA CINEMA) TEZPUR, ASSAM, 784001, Tel: 03712-230142, Email: dipeshagarwal8@gmail.com. **BIHAR:** GAYA - JAI AMBEY TRADERS, RAMNA ROAD, NEAR RAMA BHAVAN, P.S.-CIVIL LAIN, P.O.- GAYA , BIHAR, 823001, Tel: , Email: jatgaya@gmail.com. **CHATTISGARH:** RAIPUR - V. M. ENTERPRISES, MILLENNIUM PLAZA, FIRST FLOOR-31 BANSTAL G E ROAD RAIPUR, 492001, Tel: 0771-4280808, Email: vmenterprises9@gmail.com. **DELHI/NCR:** NOIDA - SHIVA MACHINERY TOOLS, C-100, SECTOR-9 NOIDA-UTTAR PRADESH, 201301, Tel: 0120-4356062, Email: shiva_machinery@yahoo.co.in. DELHI - JMR TECHSERV INDIA, M-7 1st FLOOR GURU RAM DASS BHAWAN COMMUNITY CENTRE RANJIT NAGAR NEW DELHI, 110041, Tel: 011-45669290, Email: jmrtechserv@gmail.com. FARIDABAD - MAHALAKSHMI TRADING CORPORATION, Plot no 40/66B, Industrial area, (near Raj gas agency) Near Hardware chowk, FARIDABAD, 121001, Tel: 0129-4023814, Email: khatri_vinod@hotmail.com. GURGAON - M/S SHRI GANPATI TRADERS, Plot NO:377/24,Model Town (4Marla) Near Gurudwara, Gurgaon-122001 GURGAON, 122001, Tel: 0124 2320088, Email: vibhu@shreeganpatitraders.com. **GOA:** PANJIM - MECH-TECH ENGINEERING SYSTEMS, G-2, EMERALD TOWERS, M.G. ROAD OPP STATE BANK ZONAL OFFICE, PANJI, GOA, 403001, Tel: 0832-2223601, Email: arya_gc@rediffmail.com. PANJIM - S.K .TRADING, SHOP NO 4 ESTEEVE APARTMENT NEAR ALUA HOTEL, MERCES PANJIM, 403005, Tel: , Email: sktradinggoa@gmail.com. VASCO-DA-GAMA - S.S.HITECH ENGINEERS, SHOP NO-2, LAXJOT APPTS NEAR KTC BUS STAND VASCO-DA GAMA, GOA, 403802, Tel: 0832-2515582, Email: s_sshe@rediffmail.com. **GUJARAT:** AHMEDABAD - RUSHABH TRADERS, MIRA CHEMBER, OPP.SYNDICATE BANK KADIA KUI, RELIEF ROAD AHMEDABAD, 380001, Tel: 079 22180265, Email: rushabhavm@yahoo.in. AHMEDABAD - SHIVAM SALES & SERVICE, Shop No.7,G/F,Mira Mangal Appt.,Opp.Uday Tenamemnt,Times Of India Road,Satellite,Ahmedabad, 380051, Tel: 079-69501111, Email: shivam.dewalt@gmail.com. AHMEDABAD - SHREE MARUTI TOOLS, B/5,NEW SHIVKRIPA APARTMENT OPP, AGIYARAS MATA MANDIR, NAVA AHMEDABAD, GUJARAT, 380013, Tel: 079-7643580/7..., Email: shreemarutitools@gmail.com. AHMEDABAD - SHYAM TRADING, 34, GREEN VILLA NR. H.B. KAPADIA SCHOOL, GURUKUL ROAD, MEMNAGAR, AHMEDABAD, GUJARATH, 380052, Tel: 079 66522025, Email: bosch_shyam@yahoo.com. ANKELESHWAR - CHINTAN ELECTRICALS, PLOT NO-1006,GIDC ESTATE, ANKELESHWAR,DIST-BHARUCH ANKELESHWAR,DIST-BHARUCH, 393002, Tel: 02646-251524, Email: chintanele@yahoo.com. RAJKOT - JAY ENTERPRISE, Dhebar Road, Near Ashok Guest House, RAJKOT, 360001, Tel: 0281 – 2236235, Email: viralmehta.01@gmail.com. SURAT - NATIONAL POWER TOOLS (SURAT), HG41-42, RUSHABH TOWERS, Near Jain Temple, Adajan Patia Rander Road, Surat, 395009, Tel: 0261-2788227, Email: npt_surat@yahoo.co.in. SURAT - SOHAM REPAIRING CENTER, 11,RAMESHWAR SOCIETY, BESIDE RUDRAKSH RESIDENCE,KAPODRA CROSSING, VARUCHA ROAD SURAT, 395006, Tel: , Email: sohamtools@yahoo.in. SURAT - VIKRAM ENGINEERS, M.G.ROAD , NO-4 , SANGHAVI HOUSE UDYOGNAGAR UDHANA, 394210, Tel: 0261-2274025, Email: sujata1290@gmail.com. VADODARA - HARIOM ENTERPRISE, Laheripura New Road Opposite Sai Baba temple VADODARA, GUJARAT, 390001, Tel: 0265-6543678, Email: patel_rajesh67@yahoo.com. VAPI - BRIGHT MACHINE TOOLS, A-1 Plot no 126,Opp Hotel way wait bhadakmora silvasa road, vapi, 396195, Tel: 0260-2450808, Email: brightvapi@ymail.com. BARDOLI - VDN ENTERPRISE PVT LTD, 201, 1ST FLOOR, M.G ROAD DARSHAN APARTMENT, BARDOLI, 394601, Tel: 0262 - 2226507, Email: vdnptvtd@gmail.com. AHMEDABAD - GITANJALI TRADERS, LAXMI NAGAR CORNER OPP;GANGOTRI HOTEL, NH NO 8 NARODA,AHMEDABAD,GUJARAT, 382330, Tel: 079-22801346, Email: info@gitanjalitraders.com. SILVASSA - INDIA TOOLS CENTRE, NO.8,Silver Point, OPP: TO ICICI BANK, Silvassa - Vapi Main Road SILVASSA, 396230, Tel: 2602423518, Email: indiabrgntools@yahoo.com. AHMEDABAD - SHREE GANESH SALES &SERVICE, E/21, MIRA MANGAL APARTMENTS OPP: UDAY,SOC TIMES OF INDIA ROAD,VEJALPUR , SATELLITE, AHMEDABAD, 380051, Tel: 079 - 40320976, Email: ganeshservice2bosch@gmail.com.

HARYANA: BHIWADI - HARYANA AGENCIES, NEAR ALLAHABAD BANK NH-8 , DELHI-JAIPUR HIGHWAY, BANIPUR CHOWK BAWAL(REWARI)HARYANA, 123501, Tel: 01493-226319, Email: haryana.agency@gmail.com. **HIMACHAL PRADESH:** BADDI - CHANDAN INDUSTRIES, B.O. OPP. 4 SEASON HOTEL, PINJORE ROAD, NEAR BUS STAND BADDI, HIMACHAL PRADESH, 177701, Tel: 94180-01785, Email: dewaltbaddi@gmail.com. **JAMMU AND KASHMIR:** JAMMU - BHAGWATI SALES CORPORATION, MAIN ROAD, LAST MORTH GANDHI NAGAR , JAMMU, 180001, Tel: 0191-2452718, Email: pranav272@gmail.com . **DHANBAD - SIGMA ENTERPRISES, SARAIHELIA MAIN ROAD NEAR AJAY TALKIES DHANBAD, BIHAR, 828127, Tel: 206253, Email: sigmaenterprises66@yahoo.com. **JHARKHAND:** JAMSHEDPUR - INDUSTRIAL TOOLS & EQUIPMENTS, S ' TYPE CHAWK , MAIN ROAD ADITYAPUR, JAMSHEDPUR WEST BENGAL, 831013, Tel: 0657-2383282, Email: udaybavdekar@yahoo.com. JAMSHEDPUR - MANGILALL RUNGTA, P.O.JUGSALAI JAMSHEDPUR, JHARKHAND JAMSHEDPUR, 831006, Tel: 0657-423738, Email: mlrngtas@rediffmail.com. RANCHI - INDUSTRIAL TOOLS AGENCY, DR. FATAULLAH ROAD RANCHI JHARKHAND, 834001, Tel: 0651-2206712, Email: industrialtoolsagency123@gmail.com**

KARNATAKA: BANGALORE - HINDUSTAN TOOLS, Shop No.40/3, Dr. Ismail complex,S.P.Road, Bangalore, 560002, Tel: 080-41513796, Email: hindustantoolsraghu@gmail.com. BANGALORE - MINI SALES AND TOOLS SERVICE, NO 12,1ST FLOOR,R.K.BUILDING 1ST CROSS, N.R.ROAD BANGALORE, KARNATAKA, 560002, Tel: 26702375, Email: mini_tools@yahoo.co.in. BANGALORE - NEW BANGALORE POWER TOOLS, NO-637/4,FIRST FLOOR, MUNIYAPPA COMPLEX, OPP.I.B.P.PETROL BUNK, JALAHALLI CROSS BANGALORE, KARNATAKA, 560057, Tel: 25900650, Email: nbpt.blr@gmail.com. BANGALORE - PATEL TRADING CORPORATION, 1ST FLOOR, NO. 57/3 SARDAR PATRAPPA ROAD BANGALORE, KARNATAKA, 560026, Tel: 8026754572, Email: ptcyrolit@gmail.com. BANGALORE - VISHAL ENTERPRISES, I FLOOR, NO.5 MANDI VEERAPPA LANE S.J.P. ROAD CROSS BANGALORE, KARNATAKA, 560002, Tel: 080-40903826, Email: vish3777@gmail.com. BELGAUM - VIKRANT SALES CORPORATION, KHANAPUR ROAD UDYAMBAG BELGAUM, KARNATAKA, 590008, Tel: 0831-2441256, Email: vikrantsalescorp@gmail.com. BHATKAL - CITY TOOLS CENTER, ISMAIL COMPLEX, N H-17 MAIN ROAD BHATKAL, KARNATAKA, 581320, Tel: 227613, Email: citytoolsbhatkal@gmail.com. BIJAPUR - SAGAR ELECTRICALS, SHOP NO. 55 CMC COMPLEX BAGALOT CROSS BIJAPUR, KARNATAKA, 586101, Tel: 08352-22637. HUBLI - A B AGENCIES, RAZAK BUILDING, KOPPIKAR ROAD KOPPIKAR ROAD, HUBLI KARNATAKA, 580020, Tel: 0836-2366812, Email: axaybs@gmail.com. MANGALORE - LAKSHMI SALES CORPORATION, LAKSHMI TOWERS, MAIN ROAD,KULAI , MANGLORE MANGALORE, 574196, Tel: 0824-2407836, Email: lakshmicryo@gmail.com. **KERALA:** CALICUT - TOOL TECH INC, DOOR NO. 16/931 & 932B ARADHANA TOURIST HOME, KALLAI ROAD, CALICUT, 673002, Tel: 0495-4025065, Email: inc.tooltech@gmail.com. KOCHI - POWERTOOL ENTERPRISES, 44/2133E, FREEDOM ROAD KALOOR KOCHI, KERALA, 682017, Tel: 0484-4047593, Email: ptecochin@yahoo.co.in. KOCHI - TOOL WORLD, 44/2708C KARUKAPPILLY DESHABHIMANI ROAD KOCHI,KERALA, 682017, Tel: 0484-3295546/2409745, Email: toolworld.world068@gmail.com. KOCHI - VINDIA ENTERPRISES, 39/3686, REVUPURAM ROAD ERNAKULAM, KOCHI, KERALA, 682016, Tel: 0484-2356924, Email: vindiano1tool@yahoo.com. MALLAPURAM - KOLAR MILL STORES PVT. LTD., 18/1819 KOLAR BUILDINGS OPP POLICE STATION, UP HILL P.O MALLAPURAM, 676505, Tel: 0483-2730603, Email: mail@kolaronline.com. THRISSUR - TOOL MEC, XII/689/27, MARS COMPLEX POOTHOLE ROAD THRISSUR, KERALA, 680004, Tel: 0487-2389739, Email: jayadev58@gmail.com. TRIVANDRUM - VIZHINJAM POWER TOOLS, SARHAN BUILDING, ARYASALAI TRIVANDRUM, 695036, Tel: 0471-6050001, Email: vizhinjampowertools@gmail.com. KOTHAMANGALAM - JAMSAS TRADELINKS PRIVATE LTD, IX/529 D,FORSQARE, THRIKKARIYOOR, NELLIKUZHI ROAD, ERNAKULAM DISTRIC, KOTHAMANGALAM, 686692, Tel: 0485-2828520, Email: jamsastradelinks@gmail.com. **MADHYA PRADESH:** BHOPAL - BHOPAL TOOLS, 64, HAMIDIA ROAD, BHOPAL- MADHYA PRADESH, 462001, Tel: 0755-2736173, Email: bhopaltools@gmail.com. INDORE - PIONEER INTERNATIONAL, 223, SHASTRI MARKET, 2ND FLOOR , INDORE - MADHYA PRADESH, 452007, Tel: 0731-2538007, Email: pioneerindore221@gmail.com. INDORE - RELIABLE POWER TOOLS, 12, JAWAHAR MARG,SHOP NO 9 ,1st FLOOR, SHALIMAR PLAZA, INDORE- MADHYA PRADESH, 452007, Tel: 0731-2366352, Email: reliablepowertools@gmail.com. INDORE - BALAJI ENTERPRISES, 118, SIYAGANJ MAIN ROAD, INDORE- MADHYA PRADESH, 452001, Tel: 0731-2549374, Email: rbalajient@rediffmail.com. AHMEDNAGAR - DATTA ENTERPRISES, N-16, NIMBALAK ROAD MIDC INDUSTRIAL AREA AHMEDNAGAR, MAHARASHTRA, 414111, Tel: 0241-6611130 / 6611131, Email: datta1@rediffmail.com. **MAHARASHTRA:** AKOLA - R B MACHINERY, MALIPURA CHOWK AKOLA MAHARASHTRA, 444001, Tel: 0724-2424354, Email: vijaybaniya@yahoo.co.in. ANDHERI (E) MUMBAI - UNIQUE AGENCIES, MAROL MAROSHI ROAD, , MAROL, MUMBAI MUMBAI MUMBAI, 400059, Tel: 022-29257512, Email: uniqueage@ymail.com. AURANGABAD - ANIKET ENTERPRISES, X-324, NEAR HDFC BANK MAHARANA PRATAP CHOWK, BALAJI NAGAR MIDC, AURANGABAD, 431005, Tel: 0240-2563312, Email: aniketent1408@gmail.com. AURANGABAD - PADMAVATI ELECTRICALS, OPP. RAMANAND COLONY KRANTI CHOWK AURANGABAD, 431005, Tel: 0240 - 2323033, Email: padmavati.electricals@rediffmail.com. AURANGABAD - SHACO SALES & SERVICES-AURANGABAD, Shop No. 9 , Awargaonkar Complex , Below Hotel Ramgiri Jalna Road , Cidco , Aurangabad, 431005, Tel: 0240-6542111, Email: aurangabad@shacosales.com.

BOISAR - YASH VINAYAK ELECTRICAL, shop no 17, F-1 , Stayam Apt. Near- Ostwal English Academy School, Ostwal Empire BOISAR, MAHARASHTRA, 401501, Tel: , Email: yashvinayakelectrical@gmail.com. BULDHANA - J B MACHINERY & TOOLS, NEAR ST JOSEPH SCHOOL BOTHA ROAD BULDHANA, 443001, Tel: 07262-46159, Email: ajay.sharma1711@gmail.com. CHAKAN - SADGURU POWER TOOLS AND ELECTRICAL, KOHINOOR CENTRE SHIVAJI CHOWK CHAKAN, PUNE, 410501, Tel: 02135-645361, Email: sadgurutools@rediffmail.com. DHULE - MISTRY ENTERPRISES, NEAR PRAKASH TALKIES PAROLA ROAD DHULE, MAHARASHTRA, 424003, Tel: 02562-234429, Email: mistryenterprises234429@gmail.com. ICHALKARANJI - SAPANA ENTERPRISES, 23/151, PANCHGANGA FACTORY TO SHAHPUR ROAD, NEAR KOTHARI SIZING, P O - GANGAN ICHALKARANJI, MAHARASHTRA, 416116, Tel: 0230-2440592, Email: sapana.enterprises@rediffmail.com. JALANA - S.P. SHAH & SONS, MUTTA BUILDING NEAR NATRAJ CINEMA JALANA, MAHARASHTRA, 431203, Tel: -, Email: spshahjalna234827@yahoo.in. JALGAON - KAURENU INDUSTRIAL ENTERPRISES, NO. 5, LAXMI TOWER NERI NAKA, JALGAON MAHARASHTRA, 425001, Tel: 0257-2227384, Email: kaurenutools@gmail.com. JALGAON - SHRI GAJANAN ELECTRICALS & MACHINER, 327-A , MAIN GATE , BASEMENT NEW B.J.MARKET, JALGAON MAHARASHTRA, 425001, Tel: 0257-222 4198, Email: pawandandge117@gmail.com. KHAR (W) MUMBAI - MAHAVIR ELECTRICALS, SHOP NO 8, Inside B.M.C Market Khar (W), MUMBAI, 400052, Tel: 022-26462082, Email: kamleshbhati1974@yahoo.com. KOLHAPUR - SUSHITO ENTERPRISES, B,UNDER GROUND - 1 PRABHAKAR PLAZA, STATION ROAD KOLHAPUR, MAHARASHTRA, 416001, Tel: 0231-2667433, Email: sushito2667433@yahoo.co.in. KOLHAPUR - YASH ENTERPRISES, 1446 B/C, EMPIRE TOWER, SHOP NO.16-B DASARA CHOWK, LAXMIPURI KOLHAPUR, MAHARASHTRA, 416002, Tel: 0231-2644811, Email: yashenterprises10@gmail.com. LATUR - S D TRADERS, JAMDADE BUILDING BEHIND OLD POWER HOUSE LATUR, MAHARASHTRA, 413512, Tel: 02382-252127, Email: shailsun@yahoo.com. LONAVALA - SUPER AGENCIES, G' WARD , SHOP NO - 6 GURUNANAK CO-OPP HSG SOCIETY LONAWALA, MAHARASHTRA, 410401, Tel: 02114-273279, Email: rajivsuper@gmail.com. MUMBAI - MANOHER ELECTRIC STORES, 10,Roshni Building,S.V.Road Oshiwara,Jogeshwari(West) MUMBAI, MAHARASHTRA, 400102, Tel: 022-26784783, Email: manoharmachinetools@gmail.com. MUMBAI - RAJ MACHINE TOOLS, II ND FLOOR 71/73, NAGDEVI STREET MUMBAI, MAHARASHTRA, 400003, Tel: 022-65213643/2035, Email: rajtools@yahoo.co.in. MUMBAI - S. A. TRADERS, 76 , NAGDEVI CROSS LANE , SHOP NO 3. MUMBAI, MAHARASHTRA, 400003, Tel: 022 - 23400988, Email: tkglobalstar@gmail.com. MUMBAI - SHREE SIDHIVINYAK MACHINE TOOLS, Shop No 1 ,Vishwa Mohini Building Opp Kamla Nehru Shopping Centre N.S Road , Mulund, 400080, Tel: 022-25612255, Email: jaಿಂದilip525@gmail.com. NAGPUR - RATHI ENGINEERING COMPANY, 31 A, RADKE LAYOUT OPP- SAINT XAVIERS HIGH SCHOOL NAGPUR, MAHARASHTRA, 440016, Tel: 07104-232221, Email: kjrathi_rec@yahoo.com. NAGPUR - UNION HARDWARE STORES, CENTRAL AVENUE DARODKAR CHOWK, NEAR ITWARI HIGH SCHOOL NAGPUR, 440002, Tel: 2769620, 2777729, Email: unionhardwarenz@gmail.com. NASIK - ESSEL ENGINEERS, NO. 6/7, KHETWANI D NEAR DONDE BRIDGE, UNTWADI, CIDCO NASHIK, MAHARASHTRA, 422009, Tel: -, Email: avinashkale32@yahoo.in. NASIK - MESON TRADERS, NO. 994, MAIN ROAD NASHIK NASHIK (M.S.), 422001, Tel: 0253 2507862, Email: meson_ambad@yahoo.in. NASIK - VIDAD ENGINEERING & ELECTRICALS, MAHADEV NAGAR CORNER NEAR SATPUR BUS STOP, SATPUR - TRIMBAK ROAD SATPUR NASIK, 422007, Tel: 0253 2363567, Email: vidadengg@yahoo.com. NAVI MUMBAI - FINE ELECTRICAL WORKS, SHOP NO -3 ,JANTA MARKET PLOT NO 3 & 4 ,SEC-23 , NR SADGURU HOTEL,TURBHE ,NAVI MUMBAI NAVI MUMBAI, 400705, Tel: 022-27839587, Email: fine.electricalworks@yahoo.in. NAVI MUMBAI - NEW BOMBAY (HARDWARE) TRADERS PVT., PLOT NO 107, SECTOR-23 TURBHE SERVICE INDUSTRIES, NEAR JANTA MARKET VASHI, NAVI MUMBAI, 400705, Tel: 022-67973977 / 27835529, Email: nbht@nbhtpl.com. OSMANABAD - SHREE AMBICA MACHINE TOOLS, SHOP NO 26 SHIVAJI CHOWK OSMANABAD, MAHARASHTRA, 413501, Tel: 0242-227281, Email: ashoksapkai75@gmail.com. PUNE - EVEREST ENTERPRISES, SUKHWANI NEST SHOP NO. 7, VIDHYAM NAGAR PIMPRI, PUNE, 411018, Tel: 27433522, Email: everest_entp@yahoo.co.in. PUNE - FAITH MACHINERY STORES, TIP TOP BLDG , SHOP NO-6&7 , 550B , NANAPETH , NEAR CHACHA HALWAI CHOWK , LAXMI ROAD , PUNE., 411002, Tel: 020-26137868 / 27433169, Email: faithpurchase2010@gmail.com. PUNE - K Z TRADING CO, Shop no 2 , padamjee palace, Bhawani Peth PUNE, 411042, Tel: 020 32927052, Email: mustafa_reshamwalla@yahoo.com. PUNE - MAX CORPORATION, NO. 95, GANESH PETH, LAXMI ROAD DULYA MARUTI CHOWK PUNE, 411002, Tel: 020-26344945 / 26344946 / 26341647, Email: maxcorpni@yahoo.com. PUNE - RAM ELECTRICALS, SHAGUN CHOWK PIMPRI PUNE, 411017, PUNE - SOLANKI ENTERPRISES, NO. 288/B, RASTA PETH OPP M.S.E.B NEAR SAI MOTORS, PUNE, 411011, Tel: 020 26120268, Email: solankienterprisespune@gmail.com. PUNE - SUPERWELD SOURCES PVT LTD, Near Century Enka MIDC Bhosari PUNE, 411026, Tel: 020-30681560, Email: supertraderspune@gmail.com. PUNE - TECHNO TOOLS, 1 & 2, P.J. CHAMBERS NEAR AMBEDKAR STATUE PIMPRI, PUNE, 411018, Tel: 020 30683334/5/6/7/8, Email: technodewalt@yahoo.com/techno.tools@yahoo.com. PUNE - TOOL MAX, "MAULI" 738, BUDHWAR PETH GANESH ROAD, NR. PHADKE HOUD PUNE, 411002, Tel: 020 64007995, Email: sales@toolmax.in. SANGLI - ARC POWER TOOLS & EQUIPMENTS, Atharv Sankul , Basement , Near Hotel New Ratna , Kupwad Patha , Vishrambag , Sangli, 416436, Tel: 0233-2670443, Email: madhav@arcpowertools.com / mohar@arcpowertools.com. SANGLI - SHREE SALES AND SERVICES, PLOT NO. P-90 CHAKAN OIL MILL ROAD, M.I.D.C . SANGLI, 416436, Tel: 0233-2645005 / 2645437, Email: vinodlathe1@yahoo.com.

SATARA - M P ENGINEERS, SHOP NO -7 , JIWHALA HOUSING SOCIETY NEAR BOMBAY RESTAURANT, OLD M.I.D.C SATARA, 415001, Tel: 02162 - 247341, Email: mpengineersatara@gmail.com. SATARA - NEW MAHARASHTRA TRADERS, NO. 184 B1/C, RAVIWAR PETH POWAI NAKA SATARA, MAHARASHTRA, 415002, Tel: 02162-235605, Email: newmaharashtratradrs.pt@gmail.com. SOLAPUR - MADAN .J. DALVI, GALA NO -7 .L.V.COMPLEX RAMLAL CHOWK, RAILWAY LINE SOLAPUR, MAHARASHTRA, 413001, Tel: 0217-2727051, Email: dalvi.prem@gmail.com . SOLAPUR - SIDDHRATNA SALES & SERVICES, NO. 64 JODHBHAVI PETH SOLAPUR, 413002, Tel: 0217 2729911, Email: siddhratna.sales@rediffmail.com. SOLAPUR - SUNEEL TEXTILE ENGINEERING INDUSTRI, PLOT NO. 65, NAGANE NAGAR BEHIND MAHAVIR TEA COMPANY,KONDH-413004 KONDH, SOLAPUR, 413007, Tel: 0217-2622500, Email: sgpendesol@bsnl.in .THANE - SUPER SALES & SERVICES, MONALISA BLDG., SHOP NO.5, HARINIWAS CIRCLE, , THANE, 400602, Tel: 022 - 25386845, Email: contact@supersaleservice.com . PUNE - ABRA SALES, T-96/1 BHOSARI PIMPRI ROAD, M.I.D.C BHOSARI, PUNE , MAHARASHTRA, 411026, Tel: 020-66300599, Email: rssbhosari@gmail.com. MUMBAI - UNIQUE ENGINEERS, OFFICE NO.3,183 MUTTON STREET, NULL BAZAR, MUMBAI, 400003, Tel: 022-23475221, Email: murtaza@uniqueengineers.com. **ORISSA:** BHUBANESWAR - UTKAL POWER TOOLS &SALES, SHOP NO 121,ANAND PLAZA LAKSHMI SAGAR SQUARE BHUBANESHWAR, 751006, Tel: 0674-2571079, Email: utkalpowertoolssales2012@gmail.com. ROURKELA - SUBHAM ENTERPRISES, NO. 41 , TARINGINI MARKET ROURKELA ORISSA, 769004, Tel: 0661-440 1443, Email: subhamenterprises42@gmail.com.CUTTACK - M/S ADITYA TRADE &CO, APARNA NAGAR, PO CHAULIAGANJ, NEAR SITADEVI JOGLEKAR SCHOOL CUTTACK CUTTACK, 753004, Email: aditya.dewalt@gmail.com.CUTTACK - HINDUSTAN TRADERS-ORISSA, Bhadrakvati Road, Sanjay Cafe Building ,Cuttack, Email: abhindustantraders879@gmail.com. BHUBANESWAR - SUPREME TOOLS CENTRE,CUTTACK ROAD, KALPANA AREA,APEX MARKET COMPLEX, 751006, Tel: 6742311368, Email: supreme.tools.centre@gmail.com. **PUNJAB:** CHANDIGARH - D.P.JAGAN & SONS, SCO 46-47, SEC.NO-28-C CHANDIGARH, HARYANA, 160002, Tel: 0172-5072717, Email: dpjagan@yahoo.in.JALANDHAR - FAIRDEAL AGENCIES, NEHRU GARDEN ROAD NEAR AJIT PRESS JALANDHAR, 144001, Tel: 0181-5030304, Email: sg@fairdealagencies.co.in. LUDHIANA - ARNEJA MACHINERY STORE, GILL ROAD LUDHIANA PUNJAB, 141003, Tel: 0161-2537923, Email: arneja375@yahoo.in. PANCHKULA - VIKAS WELD, PLOT NO-257 ,INDUSTRIAL AREA, PHASE - I , PANCHKULA HARYANA, 134113, Tel: 0172-2576437, Email: vikasgasesvg@yahoo.co.in. PHAGWARA - MOHINDRA BROS. OIL CO., DANA MANDI, PHAGWARA PHAGWARA PHAGWARA, 144401, Tel: 01824 269082, Email: anant.raman@yahoo.com. CHANDIGARH - J.V. MILLI AND HARDWARE STORES, 418-A , INDUSTRIAL AREA PHASE II RAM DARBAR , CHANDIGARH, 160002, Tel: 0172-2640658, Email: jvm418@rediffmail.com. **RAJASTHAN:** AJMER - S. S. AUTO AGENCIES, 4, KHAILAND MARKET, AJMER AJMER, 305001, Tel: 1452424120, Email: ssauto07@gmail.com. ALWAR - HARYANA IRON TRADERS, RAM GANJ, ALWAR ALWAR, 301001, Tel: 0144-2700205, Email: haryanairon.alwar@gmail.com. JAIPUR - ATUL ENTERPRISES, NEAR SIKAR HOTEL HANS MARG, S.C.ROAD JAIPUR, RAJASTHAN, 302001, Tel: 0141-2360327, Email: atuldhurka@gmail.com. JODHPUR - BHATI HARDWARE HOUSE, OPP-HANWANT SCHOOL PAL ROAD, JODHPUR (RAJ) JODHPUR-342003, 342003, Tel: 0291-2770506 / 0291-2770337, Email: bhathardware_house@yahoo.com. JODHPUR - SEJAL POWER TOOLS, 1ST PAL PULIYA NEAR GOVT SCHOOL MAIN PAL ROAD VILLAGE PAL JODHPUR, 342001, Tel: 0823-3994001, Email: sejalpawertools285@gmail.com. JODHPUR - USHA TRADING COMPANY, INSIDE SOJATI GATE, JODHPUR JODHPUR, 342001, Tel: 2642023, Email: naveenut2011@gmail.com.SIKANDARA - JAGDAMBA ENTERPRISES, NEAR THANDI PAU KI THADI, Agra Road, Sikandra Chouraya SIKANDARA, 303303, Tel: , Email: jagdambaent06@yahoo.com. UDAIPUR - M.P.TRADERS, 40,NEW KESHAV NAGAR ROOPSAGAR ROAD UDAIPUR, 313001, Tel: , Email: mptraders.2010@rediffmail.com. UDAIPUR - RAJASTHAN TOOLS(PROP.DIESELS INDIA), 1, KASTURBA MARKET TOWN HALL ROAD, UDAIPUR, 313001, Tel: 0294-2419260, Email: rajasthantools@murdiagroup.com. **TAMIL NADU:** CHENNAI - CHENNAI POWER TOOLS AND ELECTRICALS, NO-648 , 1st Floor, MTH Road MANNURPET PADI CHENNAI, 600050, Tel: 044-26251663, Email: chennaipowertools@yahoo.com. CHENNAI - K.S.ENGINEERING EQUIPMENTS, 16, TRUNK ROAD, POONAMALLEE CHENNAI, 600056, Tel: 044 - 26492223, Email: k.s.engineeringequipments@gmail.com.CHENNAI - M/s.ROYAL TOOLS AGENCIES, Old.No.11, New.No.21, Errabalu Street, Chennai CHENNAI, 600001, Tel: 044 - 25212150,044 - 25212160": royaltoolsagencies@gmail.com.service@royaltools.in. CHENNAI - PROFESSIONAL POWER TOOLS SALES &SERVICE, NO 77/155, BROADWAY CHENNAI CHENNAI, 600108, Tel: 044-64555872, Email: pptssc@gmail.com. CHENNAI - SHRIMMA POWER TOOLS, NO. 13, OLD MAHABALIPURAM ROAD KANDANCHAVADI, CHENNAI. CHENNAI, TAMIL NADU, 600096, Tel: 044-64534203, Email: shrimmapowertool@yahoo.com. CHENNAI - SRI KATHYAYENI ENTERPRISES, H-24, CENTRAL AVENUE KORATTUR CHENNAI, TAMIL NADU, 600080, Tel: 044 - 26873550 /42878495, Email: kathyayeni_tools2002@yahoo.co.in. COIMBATORE - AARDWOLF ENGINEERING CO., NO. 180 A/9, DR. NANJAPPA ROAD NSP COMPLEX, COIMBATORE COIMBATORE, TAMIL NADU, 641018, Tel: 0422 - 2301884 / 2380974, Email: myaardwolf@gmail.com. COIMBATORE - ORIENT EQUIPMENT & SERVICES, P.B. NO. 3795, SHOP NO G-5, V. R. ARCADE 295, DR. NANJAPPA ROAD COIMBATORE, TAMIL NADU, 641018, Tel: 0422 - 2236432 /2238507, Email: orientcbe@gmail.com.orientcalibration@gmail.com.rientcbe@dataone.in. HOSUR - BANU TOOLS, PLOT NO 7 , AMARAVATHI TOWERS VASAVI STREET,NEAR KVB BANK , NH 7, BYE PASS ROAD, HOSUR, 635109, Tel: 04344 - 242102, Email: banutools@gmail.com.

MADURAI - SANKER SALES CORPORATION, NO. 270, WEST MASI STREET MADURAI TAMIL NADU, 625001, Tel: 0452 - 2341803, Email: sankersalescorpn270@gmail.com. TRICHY - SRI ANDAL POWER TOOLS, NO. 5, A BLOCK SREE COMPLEX, MADURAI ROAD TRICHY, 620008, Tel: 0431 4544271, Email: sriandalpowertools@yahoo.co.in. SALEM - SRI ANDAL AGENCIES, 47/10E DEVANGAPURAM EXTN ST SHEVAPET, SALEM, 636002, Tel: 0427 2223718, Email: sriandalagencies@yahoo.in. Madurai - SRI CHELLAM TOOLS, 166C NORTH VELI STREET Madurai, 625001, Tel: 04524-4504200, Email: srichellamtools@gmail.com. Chennai - THOMAS ENTERPRISES, 1/23, Kamatchi Nagar, vanagaram, Chennai, 600095, Tel: 044-24767133, Email: thomasenterprises30@gmail.com. TUTICORN - BLESSON TRADERS, NO.15, DEVARPURAM ROAD, TUTICORN, 628003, Tel: , Email: blessontraders@yahoo.in. **TELANGANA:** ANANTHPUR - GENERAL ENGINEERING, # 18-246 ,ROOM NO - 2 PINNI COMPLEX OPP KRISHNA THEATRE, ANANTHPUR, ANDHRA PRADESH, 515001, Tel: 0854-235706, Email: friendjan1@yahoo.co.in. HYDERABAD - GAYATHRI INDUSTRIAL CORPORATION, 10C, USHODAYA TOWERS, INDUSTRIAL ROAD, SHAPURNAGAR, JEEDINEMTLA. HYDERABAD, ANDRA PRADESH, 500055, Tel: 040 65964671, Email: gayathri.powertools@gmail.com. HYDERABAD - ORIENTAL ENGINEERING CORPORATION, 5-2-990 NIZAM SHAHI ROAD HYDERABAD, ANDRA PRADESH, 500095, Tel: 040 460 0056, 460 5319, Email: orientalgroup@gmail.com. HYDERABAD - S.V.INDUSTRIAL & MARKETING SERVICES, 2-3-64/8, S.NO-1 & 2 ,SAI POORNIMA OPP-AMBERPET NEW POLICE STATION, , HYDERABAD, ANDRA PRADESH, 500013, Tel: 040-27424828, Email: svindustrial1988@gmail.com. HYDERABAD - SRINIVASA ENTERPRISES, 5-5-80,2ND FLOOR, SRI SRINIVASA COMMERCIAL COMPLEX , BESIDE RAO'S HOTEL RANIGUNJ, SECUNDE HYDERABAD, ANDRA PRADESH, 500003, Tel: 040-66489943, Email: srinivasa_enterprises99@yahoo.com. HYDERABAD - VRINDAVAN ENTERPRISES, SHOP NO - 113,MEGHANA COMPLEX, OPP- ANDHRA BANK , BALANAGAR HYDERABAD, 500037, Tel: 30906810, Email: vrindavanent@gmail.com. VIJAYWADA - GOPALAKRISHNA ENGINEERING CO., DOOR NO 12-6-15, HART STREET, TARAPET, VIJAYAWADA VIJAYAWADA VIJAYAWADA, 520001, Tel: 9848156713, Email: sambasivaraoopothina@yahoo.com. SECUNDERABAD - RAMAN TRADING COMPANY, SHOP NO.3.GAYATRI COMMERCIAL COMPLE, LALATEMPLE SREET,RANIGUNJ,SECUNDERABAD, 500003.**UTTARAKHAND:** RUDRAPUR - PARVESH MARKETING, TEEN PANI DAM, FULSUNGA, U.S. NAGAR, RUDRAPUR-UTTRAKHAND, 263153, Tel: , Email: parveshmarketing@rediffmail.com. DEHRADUN - M P ABRASIVES, SHOP NO- 19, SRI LAXMI PLAZA, GANDHI ROAD, DEHRADUN-UTTRAKHAND, 248001, Tel: 0135-2623192, Email: mpabrasives@gmail.com. GHAZIABAD - SHARMA ELECTRICALS, 1577, VIVEKANAND NAGAR, DOUBLE STORY, GHAZIABAD-UTTAR PRADESH, 201001, Tel: 0120-2702670, Email: SPT_2010@REDIFFMAIL.COM. KANPUR - CLIPCO TRADERS, 77/151, LATOUCHE ROAD , KANPUR- UTTAR PRADESH, 208001, Tel: 0512-2314228, Email: clipico@gmail.com. **UTTARPRADESH:** KANPUR - MAGADH INDUSTRIAL COMPANY, 123/414-A, GURU NANAK MARKET, GADARIAN PURVA, KANPUR- UTTAR PRADESH, 208022, Tel: 0512-2230545, Email: micokanpur@gmail.com. KANPUR - VIRAT ENTERPRISES, 122/230, SAROJINI NAGAR, KANPUR -UTTAR PRADESH, 208012, Tel: 0512-2221264, Email: premagarwal16@gmail.com. LUCKNOW - YASH ENGINEERING WORKS, 83, NAYA GAON EAST (BARROW MARKET) LATOUCH ROAD, LUCKNOW-UTTAR PRADESH, 226018, Tel: 0522-3046252, Email: yashenggworkslo@gmail.com. SAHARANPUR - PREMIER MACHINERY STORE, VENUS CINEMA BUILDING, RAILWAY ROAD , SAHARANPUR -UTTAR PRADESH, 247001, Tel: 0132-2641663, Email: pmsre@gmail.com. LUCKNOW - POWER TOOLS COMMERCE, TALKATORA ROAD, NEAR HARDOI CROSSING, LUCKNOW-UTTAR PRADESH, 226017, Tel: 0522-3296595, Email: powertoolscommerce@gmail.com . GHAZIABAD - CHANANA BROTHERS, 228/6, HAPUR ROAD, GHAZIABAD-UTTAR PRADESH, 201001, Tel: 0120-4115993, Email: chanana_brothers1@yahoo.com. MEERUT - GARG STEEL CENTRE, 419, PATEL GANJ, KABARI BAZAR, MEERUT CITY-UTTAR PRADESH, 250002, Tel: 0121-2515926, Email: mukul.gsc@rediffmail.com. LUCKNOW - NIMBUS INTERNATIONAL, 26, AISH BAGH ROAD, LUCKNOW-UTTAR PRADESH, 226004, Tel: 0522-692315, Email: nimbusinternational@gmail.com. VARANASI - DIAMOND EDGE, D 59/127, CURCH MISSION COMPOUND, SIGRA, VARANASI-UTTAR PRADESH, 221010, Tel: 0542-2224317, Email: diamondedgevns@rediffmail.com. ALLAHABAD - ASSOCIATED BROTHERS, 17 RAM BAGH, ALLAHABAD-UTTAR PRADESH, 211003, Tel: 0532-2418381, Email: ab_all@rediffmail.com. HARIDWAR - U & D CORP, 1243, ARYA NAGAR, KANKHAL-JWALAPUR ROAD, HARIDWAR-UTTRAKHAND, 249404, Tel: 01334-253452, Email: undcorp@live.com. RUDRAPUR - NATIONAL MACHINERY STORES, 39, GALLA MANDI, U.S. NAGAR, RUDRAPUR-UTTRAKHAND, 263153, Tel: 05944-243417, Email: salujanms@yahoo.co.in. **WEST BENGAL:** DURGAPUR - CITY HARDWARE, NACHAN ROAD BENACHITY DURGAPUR, WEST BENGAL, 713213, Tel: 0343-2583831, Email: city_steelcity@rediffmail.com. HOWRAH - CUTWELL TOOLS, BELOW WBSEB OFFICE HOWRAH AMTA ROAD, DASNAGAR HOWRAH, WEST BENGAL, 711105, Tel: 6530670, Email: yogesh@market-links.co.in. KOLKATA - BARDIA TRADING CO., NO. 17 , PRINCEP STREET KOLKATA WEST BENGAL, 700072, Tel: 2373065, Email: bardiatradingcompany@gmail.com. KOLKATA - MACHINERY & TOOLS (INDIA), 24,NETAJI SUBHAS ROAD KOLKATA WEST BENGAL, 700001, Tel: 033-2221-3840, Email: mtools_kol@yahoo.co.in. KOLKATA - S.M.B CORPORATION, NO. 218 OLD CHINA BAZAR STREET KOLKATA, 700001, Tel: 22422406/0666, Email: smbcorporation@gmail.com. KOLKATA - SUBOL DUTT & SONS PVT. LTD., NO. 13, BRABOURNE ROAD KOLKATA WEST BENGAL, 700001, Tel: 40051156, Email: suboldutt@rediffmail.com. KOLKATA - ESKAY CORPORATION, 26, N.S.ROAD(NETHAJI SUBAS ROAD) (GROUND FLOOR) KOLKATA, 700001, Tel: 65217049, Email: eskaycorp@live.in.

