

Prisma 25 Surface horizontal



Quiet-running horizontal multi-stage centrifugal pumps

Applications

To work with clean water in domestic applications, irrigation, and hydropneumatic sets. Self-priming to 2 m.

Materials

Pump body and impellers in AISI 304 stainless steel.
 Motor shaft in AISI 420 stainless steel.
 Diffusers in technopolymer.
 Suction and discharge mountings in cast iron.
 Mechanical seal in graphite and alumine.
 Gaskets in EPDM and NBR.
 Motor casing in aluminium.

Motor

Asynchronous, 2 poles.
 IP 44 protection.
 Class F insulation.
 Continuous operation.
 Single-phase version up to 1,5 HP with built-in thermal protection.

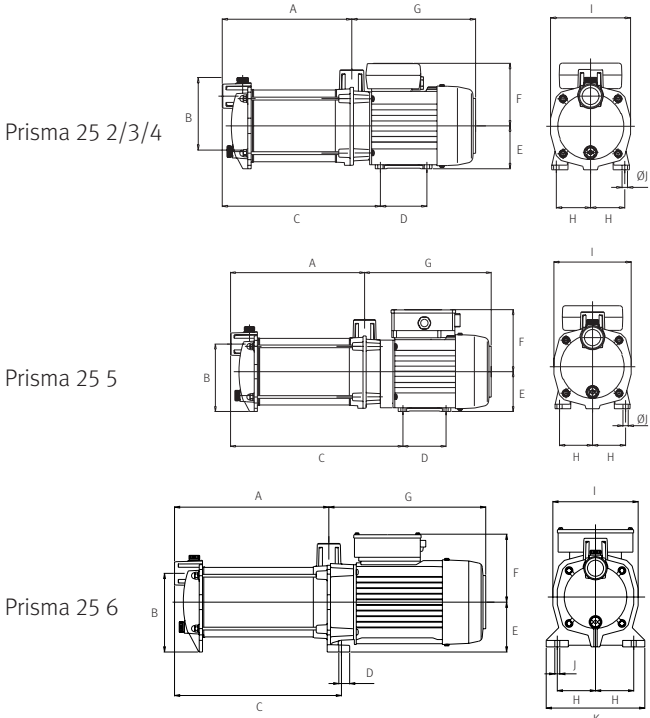
Limitations

Maximum liquid temperature: 40 °C.



Dimensions and weights

Model	A	B	C	D	E	F	G	H	I	J	K	kg
Prisma 25 2	175,5	127	226	82	75	109,5	218	59	138	8		12,5
Prisma 25 3	202	127	252,5	82	75	109,5	218	59	138	8		13,5
Prisma 25 4	228,5	127	279	82	75	109,5	218	59	138	8		14,6
Prisma 25 5	255	127	328	82	75	109,5	240,5	59	138	8		17,2
Prisma 25 6	281	142	304	20	89,5	122	286	69	154	10	178	20



Performance curves at 2900 rpm

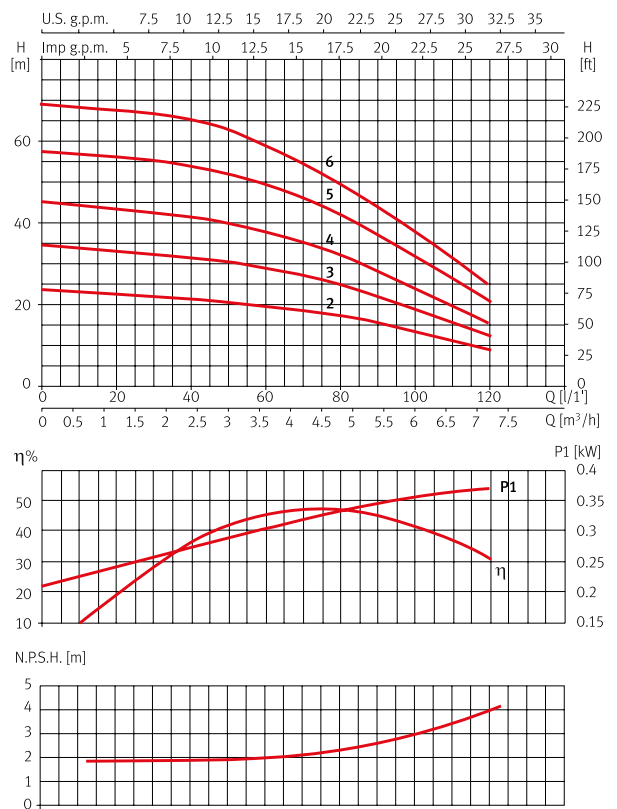


Tabla de funcionamiento hidráulico

Model	I (A)			P1 (kW)		P2		μF	I/min m³/h	15	30	45	60	75	90	105	120
	1~ 230 V	230 V	3~ 400 V	1~	3~	(kW)	(HP)			0,9	1,8	2,7	3,6	4,5	5,4	6,3	7,2
Prisma 25 2	4,3			0,9		0,55	0,75	16	mwc	22	21	20,5	19	17	15	12	8
Prisma 25 3	5,5	3,5	2	1,2	1	0,75	1	16		33	32	30,5	28	26	22	17	12
Prisma 25 4	6,8	4,3	2,5	1,5	1,4	0,92	1,25	16		43	42	40	37	33	28	22	15
Prisma 25 5	7,4	5,2	3	1,7	1,7	1,1	1,5	25		56	55	52,5	48	43	37	29	20
Prisma 25 6	9,8	6,7	3,9	2,2	2	1,5	2	30		72	68	65	58	50	40	32	24