

Qty. Description

1 CM 5-4 A-R-A-E-AVBE C-A-A-N



Product No.: On request

Compact, reliable, horizontal, multistage, end-suction centrifugal pump with axial suction port and radial discharge port. The shaft, impellers and chambers are made of stainless steel. The inlet and discharge parts are made of cast iron. The mechanical shaft seal is a special designed, unbalanced O-ring seal. Pipework connection is via internal Whitworth pipe threads, Rp (ISO 7/1).

The pump is fitted with a 1-phase, foot-mounted, fan-cooled asynchronous motor.

Further product details

Pump and motor are integrated in a compact and user-friendly design. The pump is fitted to a low base plate, making it ideal for installation in systems where compactness is important.

The state-of-the-art design and materials of the shaft seal ensure high wear resistance, improved sticking and dry-running capabilities and long operating life.

Servicing the pump requires no special service tools. Service parts are in stock for quick delivery and are available as kits, single parts or bulk. Service videos are available on www.youtube.com.

Pump

A combination of a stop ring and a Nord-lock® washer secures a tight and reliable fixation of the impeller spacing pipes to the splined pump shaft. It is possible to remove and fit the hydraulic parts from the pump side. The inlet part, chambers and discharge part are hold together by four staybolts.

The pump is fitted with an unbalanced O-ring seal with a rigid torque-transmission system. It has a fixed seal driver ensuring a reliable rotation of all parts. The dynamic secondary seal is an O-ring.

Primary seal:

- Rotating seal ring material: aluminium oxide (alumina)
- Stationary seat material: carbon graphite, resin-impregnated

Carbon graphite against alumina is a good all-round seal for not too demanding applications. The corrosion resistance is often limited in water to a range between pH 5 and pH 10. Usage in liquids above 90 °C is not recommended. The seal can handle dry-running conditions for short periods.

Secondary seal material: EPDM (ethylene-propylene rubber)

EPDM has excellent resistance to hot water. EPDM is not suitable for mineral oils.



The pump shaft is connected to the motor shaft through a left thread and tight fit. The shaft cannot be dismantled.

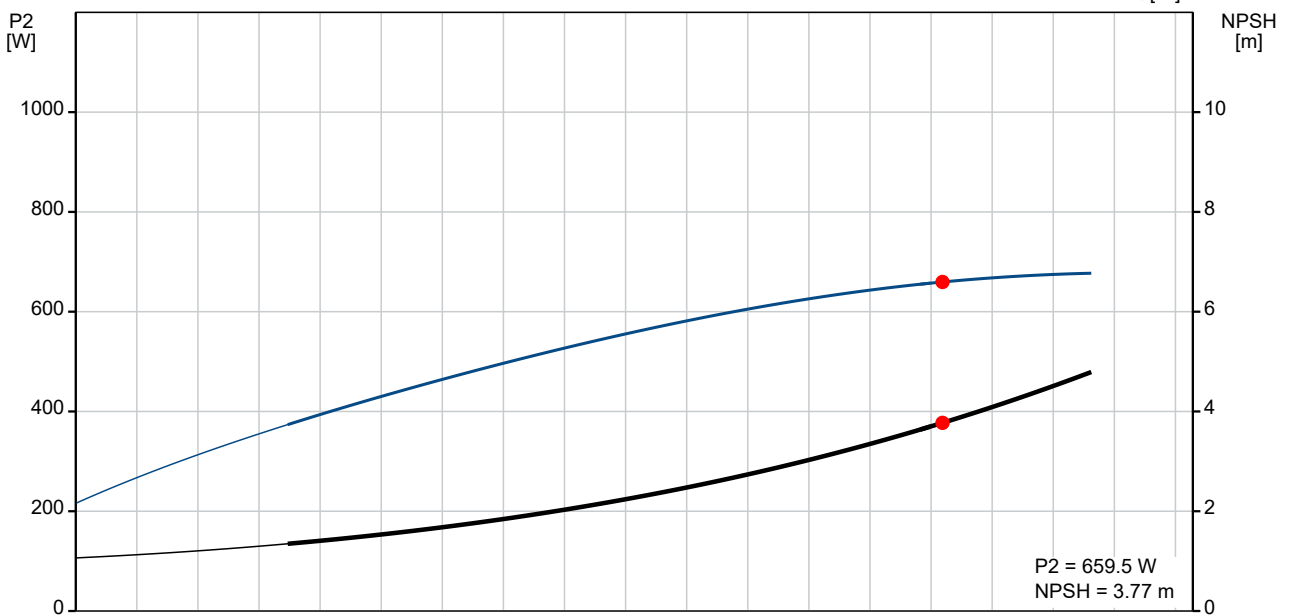
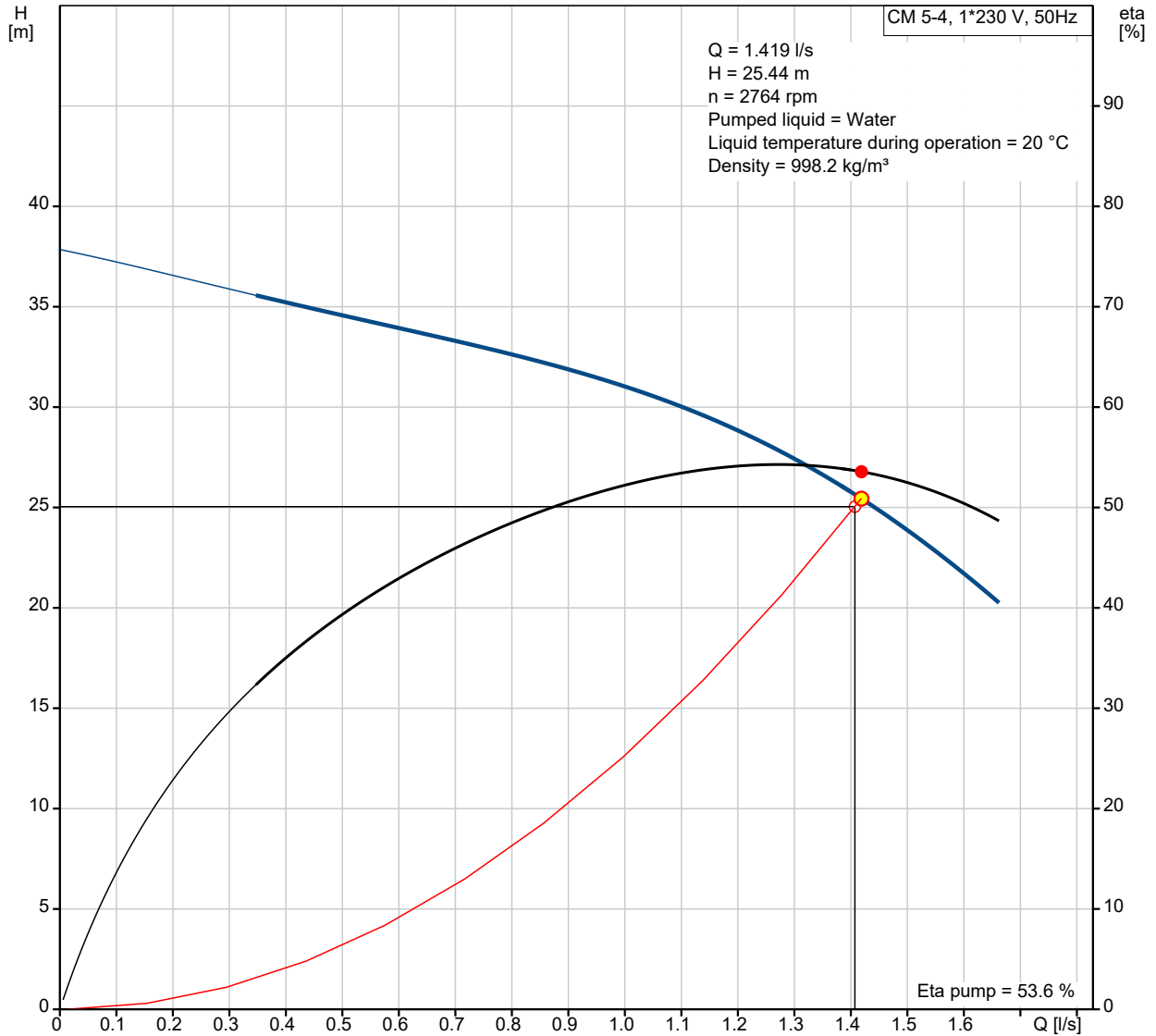
Motor

The motor is a totally enclosed, fan-cooled motor with principal dimensions to EN 50347. Electrical tolerances comply with EN 60034.

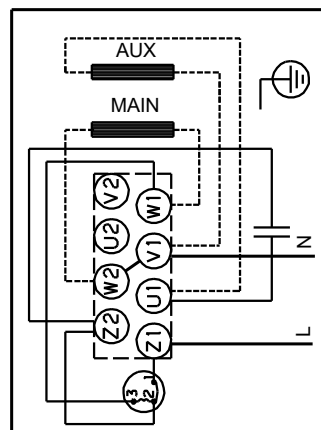
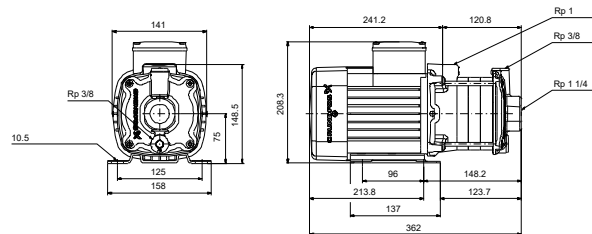
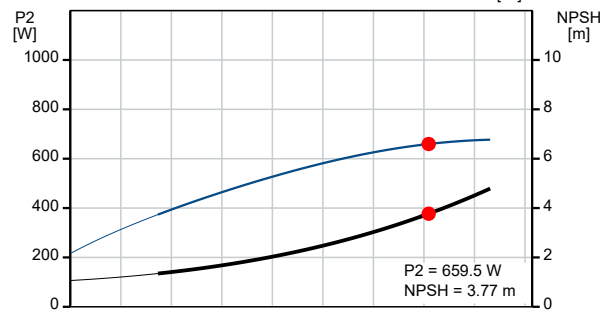
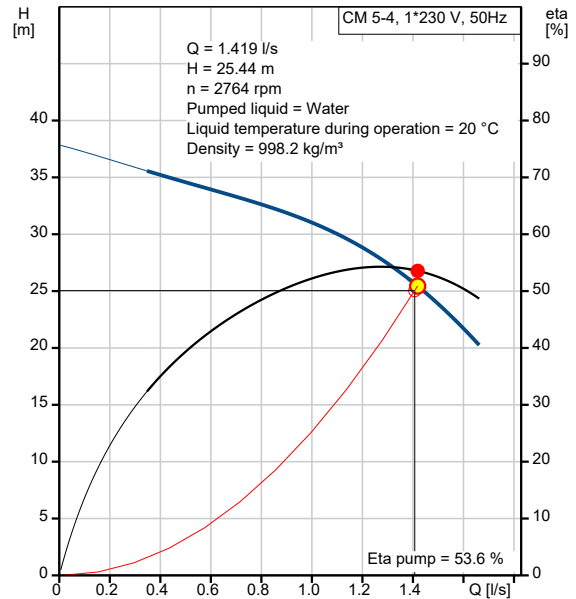
Technical data

Qty.	Description
	Controls: Frequency converter: NONE
	Liquid: Pumped liquid: Water Liquid temperature range: -20 .. 90 °C Selected liquid temperature: 20 °C Density: 998.2 kg/m ³
	Technical: Pump speed on which pump data are based: 2900 rpm Actual calculated flow: 1.419 l/s Rated flow: 1.306 l/s Resulting head of the pump: 25.44 m Rated head: 30.69 m Code for shaft seal: AVBE Approvals: CE,WRAS,ACS,EAC Curve tolerance: ISO9906:2012 3B
	Materials: Pump housing: Cast iron EN-GJL-200 ASTM A48-25A Impeller: Stainless steel EN 1.4301 AISI 304
	Installation: Range of ambient temperature: -20 .. 55 °C Maximum operating pressure: 10 bar Max pressure at stated temp: 10 bar / 40 °C 6 bar / 90 °C
	Type of connection: Rp Size of inlet connection: 1 1/4 inch Size of outlet connection: 1 inch Outlet position: 12
	Electrical data: Motor standard: IEC Frame size: 80A Rated power - P2: 0.67 kW Mains frequency: 50 Hz Suitable for 50/60 Hz: N Phases: 1 Rated voltage: 220-240 V V Service factor: 1.00 Rated current: 4.4-4.0 A Starting current: 390-390 % Rated speed: 2720-2800 rpm Enclosure class (IEC 34-5): IP55 Insulation class (IEC 85): F Built-in motor protection: PTO Cable included (Yes/No): N
	Others: Terminal box position: 12 Minimum efficiency index, MEI ≥: 0.7 Net weight: 13.6 kg Gross weight: 16.1 kg

On request CM 5-4 A-R-A-E-AVBE C-A-A-N 50 Hz



Description	Value
General information:	
Product name:	CM 5-4 A-R-A-E-AVBE C-A-A-N
Product No:	On request
EAN number:	On request
Technical:	
Pump speed on which pump data are based:	2900 rpm
Actual calculated flow:	1.419 l/s
Rated flow:	1.306 l/s
Resulting head of the pump:	25.44 m
Rated head:	30.69 m
Impellers:	4
Code for shaft seal:	AVBE
Approvals:	CE,WRAS,ACS,EAC
Curve tolerance:	ISO9906:2012 3B
Pump version:	A
Model:	A
Materials:	
Pump housing:	Cast iron
Pump housing:	EN-GJL-200
Pump housing:	ASTM A48-25A
Impeller:	Stainless steel
Impeller:	EN 1.4301
Impeller:	AISI 304
Material code:	A
Code for rubber:	E
Installation:	
Range of ambient temperature:	-20 .. 55 °C
Maximum operating pressure:	10 bar
Max pressure at stated temp:	10 bar / 40 °C
Max pressure at stated temp:	6 bar / 90 °C
Type of connection:	Rp
Size of inlet connection:	1 1/4 inch
Size of outlet connection:	1 inch
Outlet position:	12
Connect code:	R
Liquid:	
Pumped liquid:	Water
Liquid temperature range:	-20 .. 90 °C
Selected liquid temperature:	20 °C
Density:	998.2 kg/m ³
Electrical data:	
Motor standard:	IEC
Frame size:	80A
Rated power - P2:	0.67 kW
Mains frequency:	50 Hz
Suitable for 50/60 Hz:	N
Phases:	1
Rated voltage:	220-240 V V
Service factor:	1.00
Rated current:	4.4-4.0 A
Starting current:	390-390 %
Rated speed:	2720-2800 rpm
Enclosure class (IEC 34-5):	IP55
Insulation class (IEC 85):	F
Built-in motor protection:	PTO
Cable included (Yes/No):	N
Controls:	





Company name:

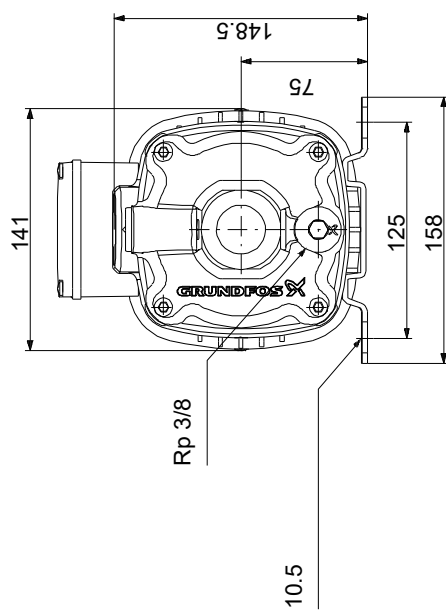
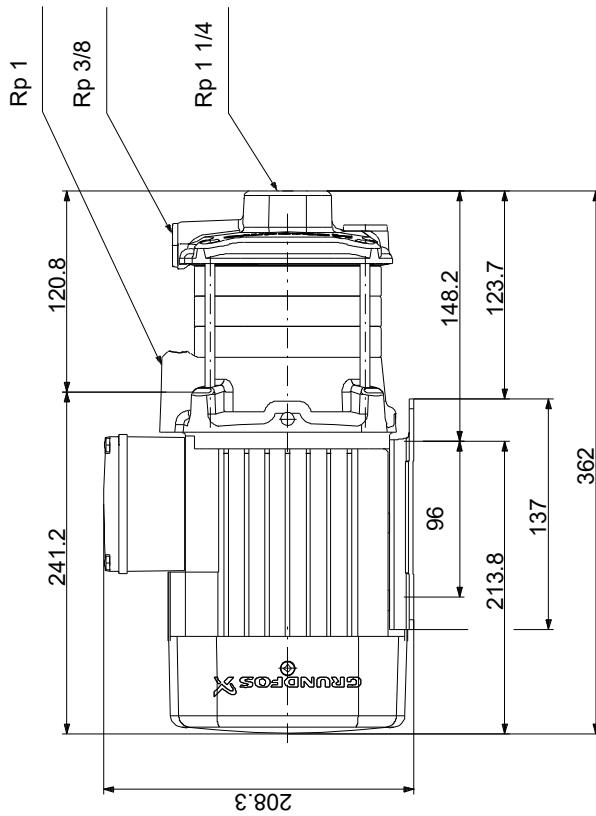
Created by:

Phone:

Date: 04/08/2021

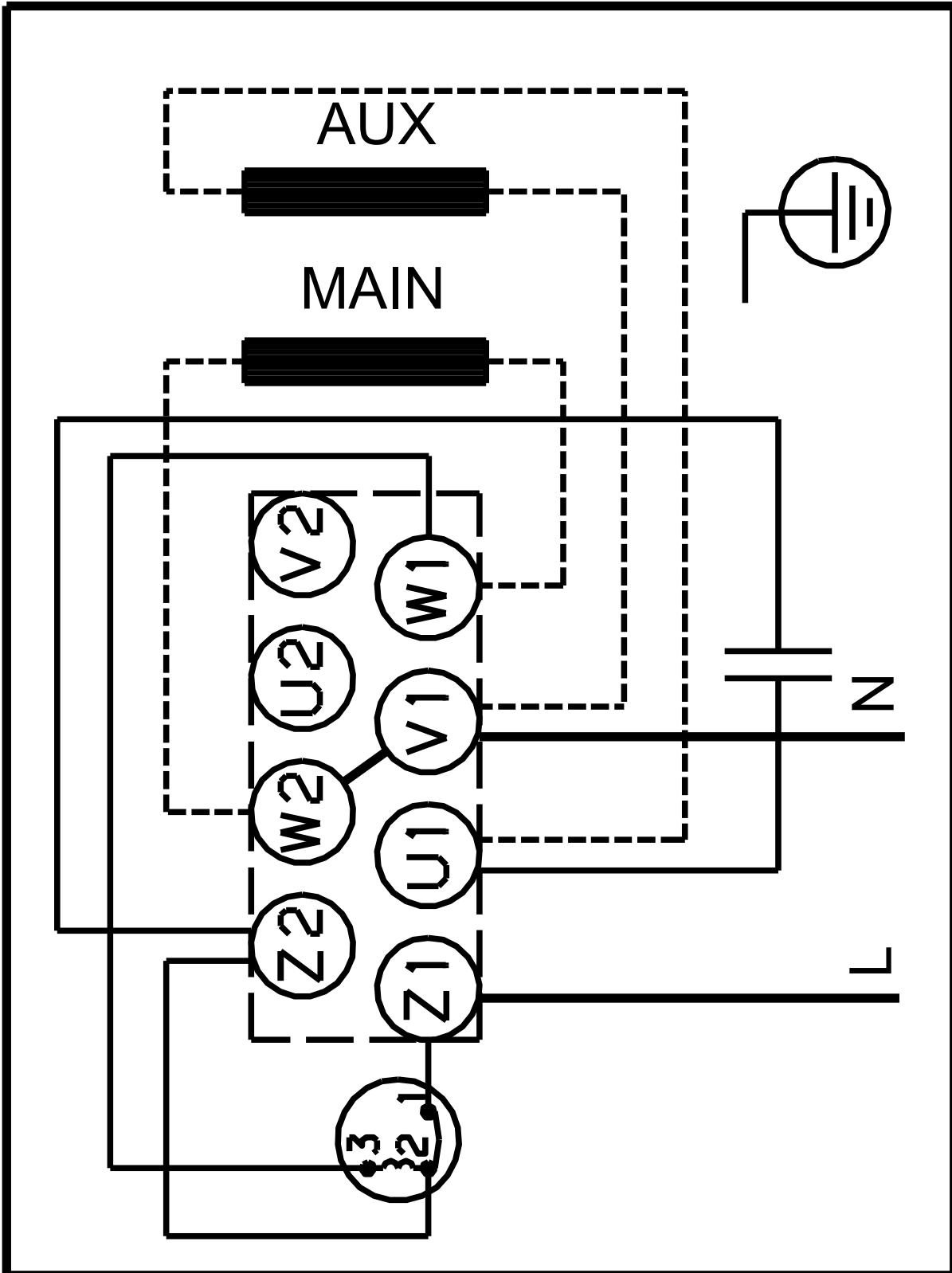
Description	Value
Frequency converter:	NONE
Others:	
Terminal box position:	12
Minimum efficiency index, MEI \geq :	0.7
Net weight:	13.6 kg
Gross weight:	16.1 kg

On request CM 5-4 A-R-A-E-AVBE C-A-A-N 50 Hz



Note! All units are in [mm] unless others are stated.
Disclaimer: This simplified dimensional drawing does not show all details.

On request CM 5-4 A-R-A-E-AVBE C-A-A-N 50 Hz



Note! All units are in [mm] unless others are stated.