

SPECIFICATION SHEET

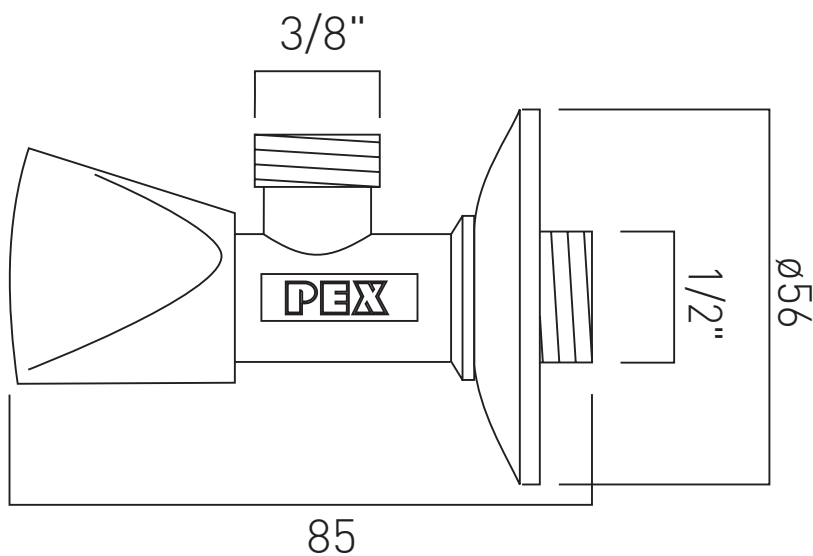


PRODUCT CODE: PEX-236A-C/P

DESCRIPTION:

1/2" x 3/8" angle valve with tricorn handle
(supplied with both hot and cold indices)

FINISH: Chrome



standard packing details

item weight (kg)	0.182
inner box contains box weight (kg)	1 0.204
outer carton contains carton weight (kg)	100 20.5
full pallet contains pallet weight (kg)	2400 507

tel: +44 (0)1934 745160
email: export@vado.com
www.vado.com

